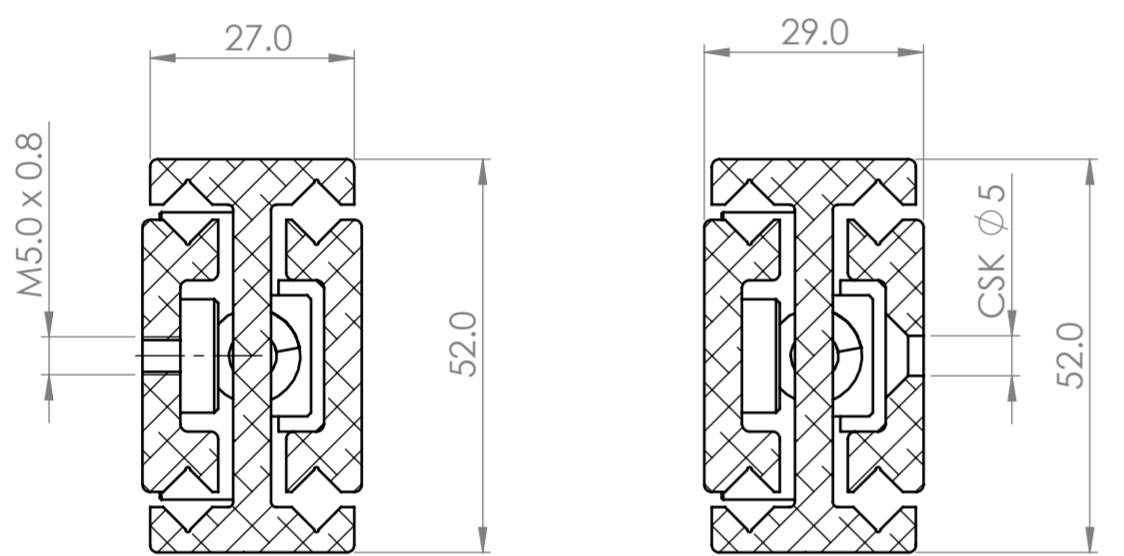
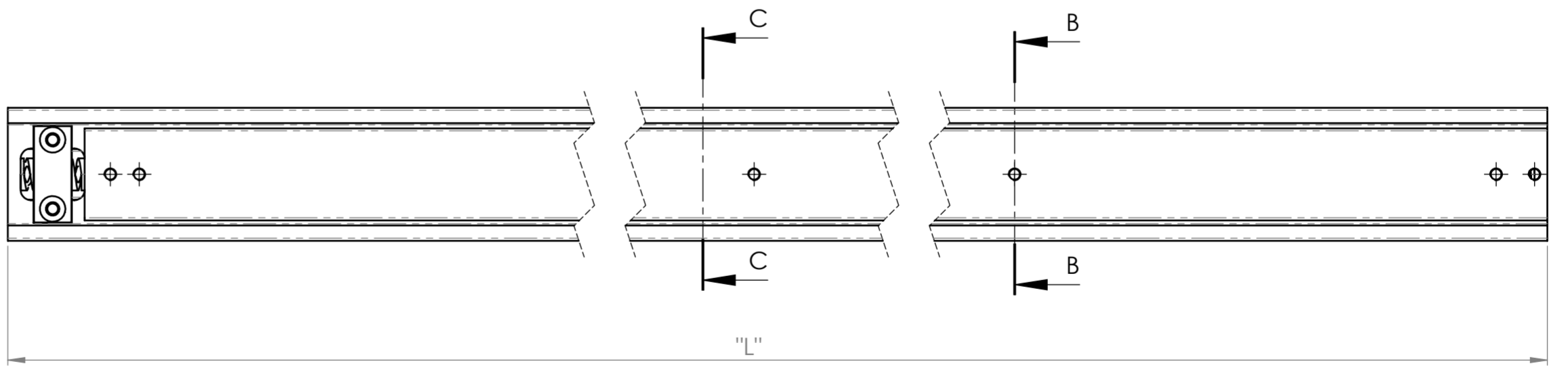
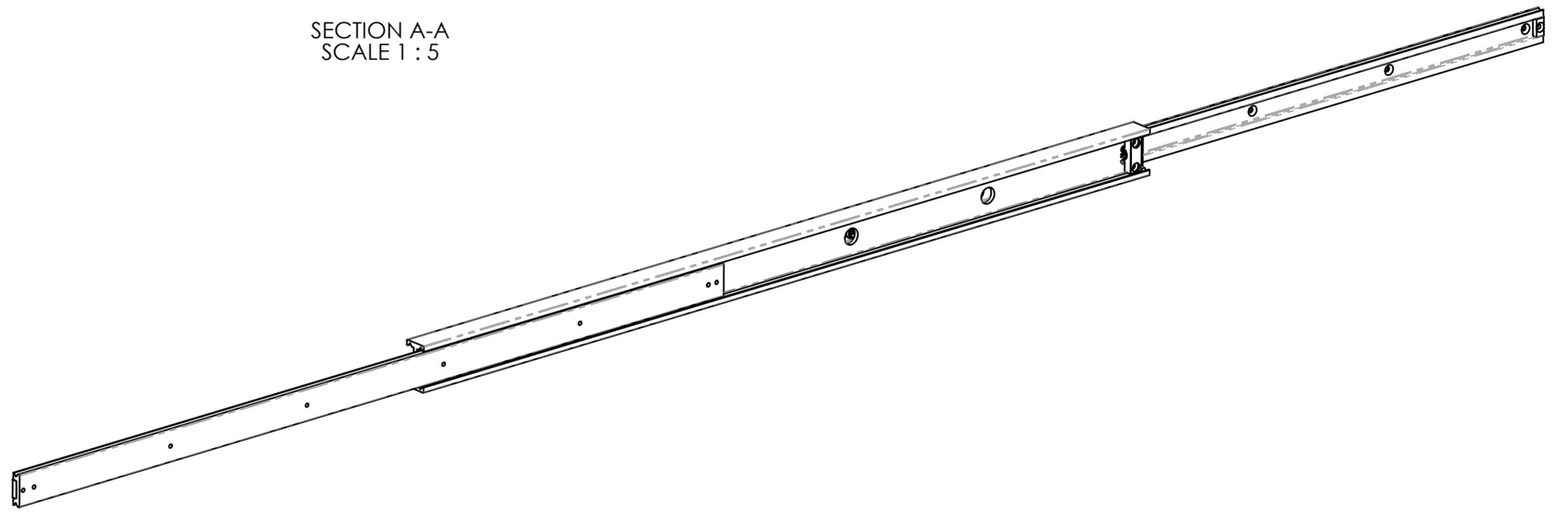


SECTION A-A
SCALE 1 : 5



SECTION B-B
SCALE 1 : 1

SECTION C-C
SCALE 1 : 1



Part Number	Installation	Extension Length "C"	Load Per Pair	Drill Table	
				"A"	"B"
4013.5229.030	300	305	175	120	3
4013.5229.035	350	405	177	145	3
4013.5229.040	400	435	180	113	4
4013.5229.045	450	465	185	130	4
4013.5229.050	500	565	190	110	5
4013.5229.055	550	525	195	122.5	5
4013.5229.060	600	625	200	135	5
4013.5229.065	650	585	220	118	6
4013.5229.070	700	685	200	128	6
4013.5229.075	750	785	185	138	6
4013.5229.080	800	885	175	148	6
4013.5229.085	850	845	165	158	6
4013.5229.090	900	945	155	168	6
4013.5229.095	950	1045	145	178	6
4013.5229.100	1000	1145	135	188	6

				Scale: 1:2
Tolerance: +/- 0.3 (unless stated otherwise) All Dimension in mm				