

# 300 SERIES UPDATE

## FLAT METAL HINGE WITH BORE RIGHT THROUGH

**Material:**

**O300:**

Die cast zamak alloy (zinc, aluminium and copper alloy).

**O300 CIN:**

AISI 316 stainless steel.

**Surface:**

**O300:**

Smooth. Black cataphoresis paint.

**O300 L:**

Shiny chrome plated.

**ATTENTION: the product is being discontinued and will be replaced by the galvanised version**

**O300 CIN:**

Natural brushed.

**Main Insert:**

**All versions:**

AISI 303 stainless steel rotation pin.

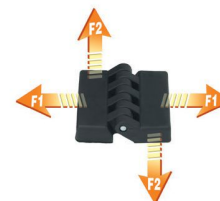
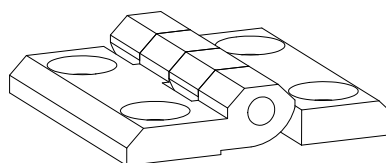
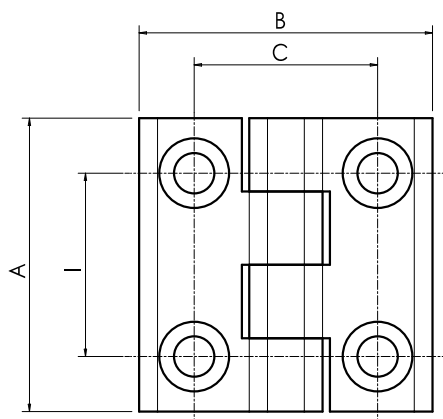
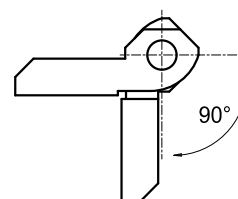
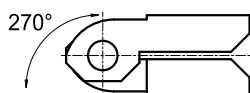
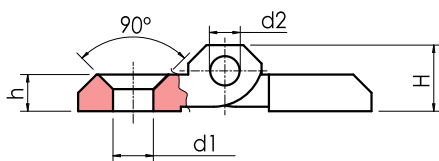
**Hole:**

Through hole obtained by moulding. 90° counter-sunk hole for UNI 5933 - UNI 6109 screw.



**SPECIAL REQUESTS:**

- None.



## BLACK ZAMAK HINGE

# O300



Zamak



Art.	I	C	A	B	H	h	h1	d2	d1	g	F1 (N)	F2 (N)
O30025.ZG5.501	25	25	40	40	9	5	5,5	4	5,5	47		
O30030.ZG6.501	30	30	50	50	11,5	6	6	6	6,5	92	6230	1420
O30036.ZG6.501	36	36	60	60	11,5	6	6	6	6,5	100		
O30036.ZG8.501	36	36	60	60	11,5	6	6	6	8,5	98		
O30040.ZG6.501	40	40	64	64	11,5	6	6	6	6,5	110	4340	4200

## CHROME PLATED ZAMAK HINGE

# UPDATE O300 L



Zamak



Art.	I	C	A	B	H	h	h1	d2	d1	g	F1 (N)	F2 (N)
O30025.ZG5.5L	25	25	40	40	9	5	5,5	4	5,5	47		
O30030.ZG6.5L	30	30	50	50	11,5	6	6	6	6,5	92	6230	1420
O30036.ZG8.5L	36	36	60	60	15	8	9	8	8,5	100		

## GALVANIZED ZAMAK HINGE

# UPDATE O300 Z



Zamak



Art.	I	C	A	B	H	h	h1	d2	d1	g	F1 (N)	F2 (N)
O30025.ZG5.5Z	25	25	40	40	9	5	5,5	4	5,5	47		
O30030.ZG6.5Z	30	30	50	50	11,5	6	6	6	6,5	92	6230	1420
O30036.ZG8.5Z	36	36	60	60	15	8	9	8	8,5	100		

## STAINLESS STEEL HINGE

# O300 CIN



Aisi 316



Art.	I	C	A	B	H	h	h1	d2	d1	g	F1 (N)	F2 (N)
O30025.HG5.5CIN	25	25	40	40	9	5	5,5	4	5,5	60		
O30030.HG6.5CIN	30	30	50	50	11	5,5	6,5	6	6,5	95	19600	9800
O30036.HG8.5CIN	36	36	60	60	14,5	7,7	8,5	8	8,5	185		



O300



O300 L



O300 Z



O300 CIN

Presumable presence in the stock in %

# SERIE 301 NEW

## FLAT METAL HINGE WITH THREADED BORE

### Material:

#### O301:

Die cast zamak alloy (zinc, aluminium and copper alloy).

#### O301 CIN:

AISI 316 stainless steel.

### Surface:

#### O301:

Smooth. Black cataphoresis paint.

#### O301 CIN:

Natural brushed.

### Main Insert:

#### All versions:

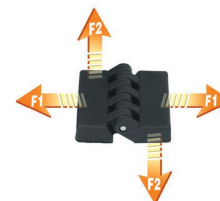
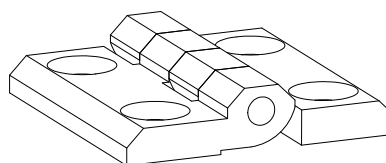
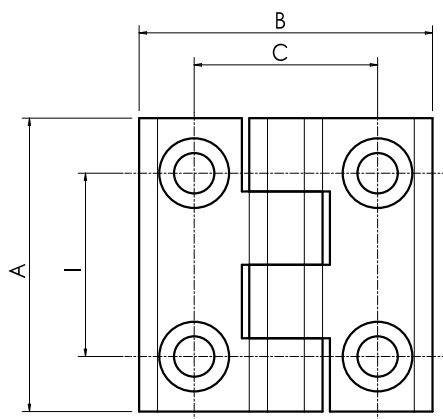
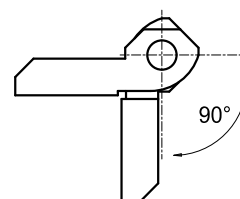
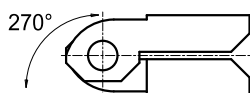
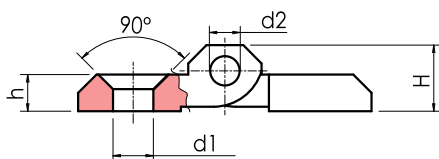
AISI 303 stainless steel rotation pin.

### Hole:

Through hole obtained by moulding. 90° counter-sunk hole for UNI 5933 - UNI 6109 screw.

### SPECIAL REQUESTS:

- None.



## BLACK ZAMAK HINGE

# O301



Zamak



	Art.	I	C	A	B	H	h	h1	d2	d1	g	F1 (N)	F2 (N)
●	O30025.ZG5.501	25	25	40	40	9	5	5,5	4	5,5	47		
●	O30030.ZG6.501	30	30	50	50	11,5	6	6	6	6,5	92	6230	1420
●	O30036.ZG6.501	36	36	60	60	11,5	6	6	6	6,5	100		
●	O30036.ZG8.501	36	36	60	60	11,5	6	6	6	8,5	98		
●	O30040.ZG6.501	40	40	64	64	11,5	6	6	6	6,5	110	4340	4200

## GALVANIZED ZAMAK HINGE

# UPDATE O301 Z



Zamak



	Art.	I	C	A	B	H	h	h1	d2	d1	g	F1 (N)	F2 (N)
●	O30025.ZG5.5Z	25	25	40	40	9	5	5,5	4	5,5	47		
●	O30030.ZG6.5Z	30	30	50	50	11,5	6	6	6	6,5	92	6230	1420
●	O30036.ZG8.5Z	36	36	60	60	15	8	9	8	8,5	100		

## STAINLESS STEEL HINGE

# O301 CIN



Aisi 316



	Art.	I	C	A	B	H	h	h1	d2	d1	g	F1 (N)	F2 (N)
●	O30025.HG5.5CIN	25	25	40	40	9	5	5,5	4	5,5	60		
●	O30030.HG6.5CIN	30	30	50	50	11	5,5	6,5	6	6,5	95	19600	9800
●	O30036.HG8.5CIN	36	36	60	60	14,5	7,7	8,5	8	8,5	185		



O301



O301 Z



O301 CIN

Presumable presence in the stock in %

90% ●

40% ●

5% ●

BATECO METAL LINE

O - 21

ver. OUK.20-1217

# O305



## FLAT ZAMAK HINGE

**Material:**

Die cast zamak alloy (zinc, aluminium and copper alloy).

**Surface:**

Satinata.

**Colore:**

Naturale.

**Inserts:**

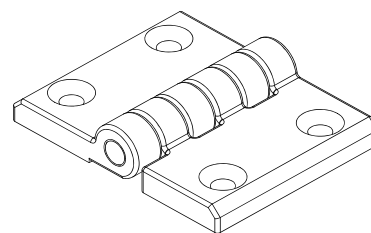
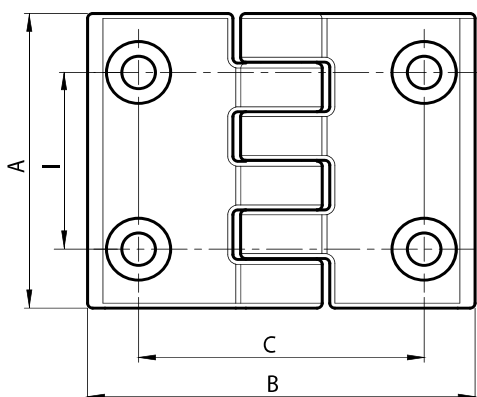
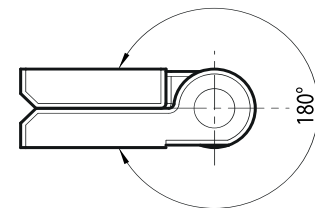
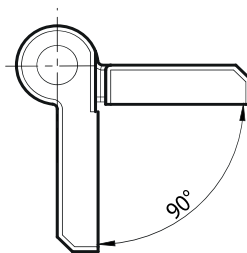
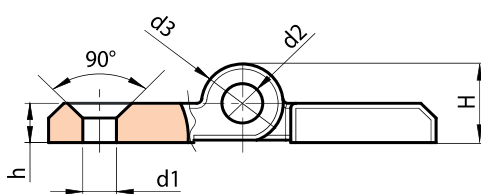
Galvanised steel pin.

**Hole:**

Through hole obtained by moulding. 90° counter-sunk hole for UNI 5933 - UNI 6109 screw.

**SPECIAL REQUESTS:**

- None.



art.	I	C	A	B	h	H	d2	d3	d1	Δ g
● O30536.ZG06.501	36	56	60	76	8	16	8	15,5	6,5	250