

# O400 UPDATE



## HINGE WITH PLASTIC RIGHT THROUGH HOLES

**Material:**  
Reinforced polyamide.  
Oils and greases resistant.

**Surface:**  
Satin.

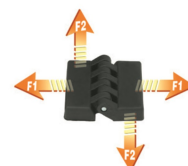
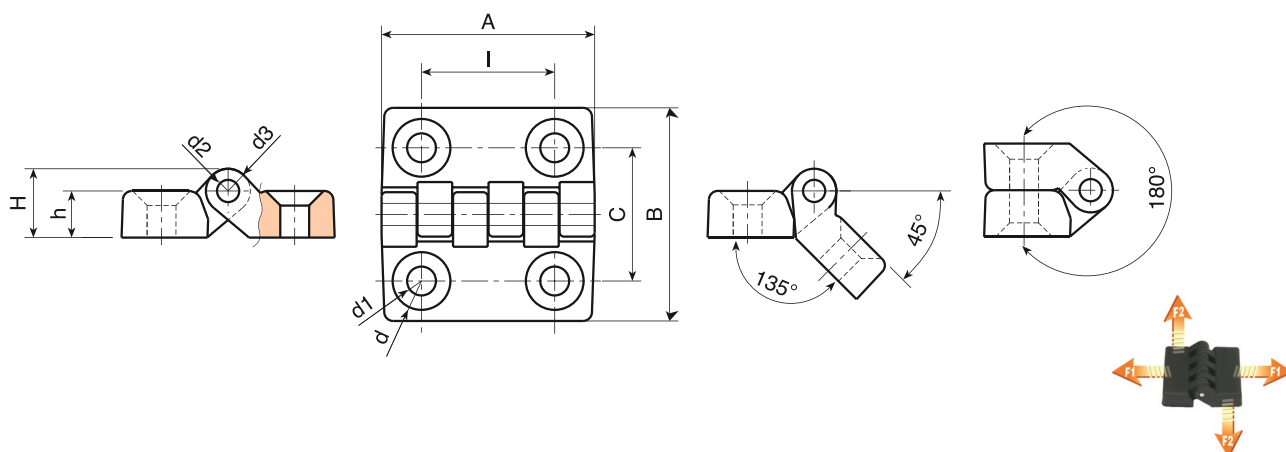
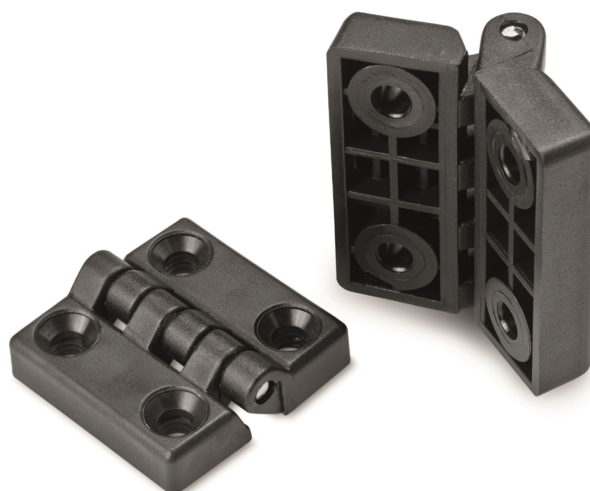
**Colour:**  
Black (RAL 9011).

**Insert:**  
Zinc plated steel pin.

**Hole:**  
Right through smooth hole obtained by moulding the plastic. Seat for countersunk screws DIN 7991 or UNI 5993.

### SPECIAL REQUEST:

- It is possible to supply colours as shown in the table at pag. O-19, on request and for quantities.



art.	l	C	A	B	h	H	d	d2	d3	d1	g	F1 (N)	F2 (N)
● O40020.TG04,501TS	20	20	32	32	7	10,5	8	3	7	4,5	9	1440	490
● O40030.TG06,501TS	30	30	48	48	10,5	15,5	13	5	10	6,5	27	1960	1470
● O40040.TG06,501TS	40	40	64	64	13	19	13	5	12	6,5	53	2850	1520
● O40060.TG08,501TS	60	63	96	96	16	24	16	8	16	8,5	152	4300	1810
● O40060.TG10,501TS	60	63	96	96	16	24	20	8	16	10,5	152	4300	1810

art.	l	C	A	B	h	H	d	d2	d3	d1	g	F1 (N)	F2 (N)
● O40020.TG04,501TC	20	20	32	32	7	10,5	8	3	7	4,5	9	1440	490
● O40030.TG06,501TC	30	30	48	48	10,5	15,5	13	5	10	6,5	27	1960	1470
● O40040.TG06,501TC	40	40	64	64	13	19	13	5	12	6,5	53	2850	1520
● O40060.TG08,501TC	60	63	96	96	16	24	16	8	16	8,5	152	4300	1810
● O40060.TG10,501TC	60	63	96	96	16	24	20	8	16	10,5	152	4300	1810