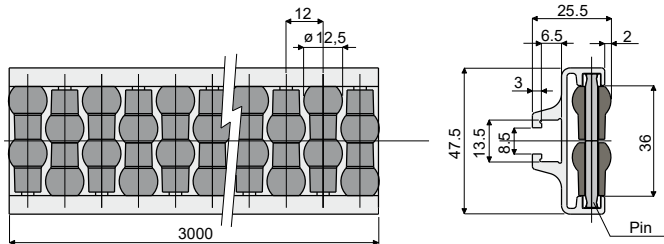


Product guides and accessories

Part. 306 Roller side guide (single type, with pearls)



Pins made of acetal	Pins made of stainless steel AISI 304
Code	Code
306 / 82809	306 / 84548

NEW

MATERIALS: Metal profile in anodized aluminium; rollers in grey polyamide; support pins in white acetal or in stainless steel AISI 304.

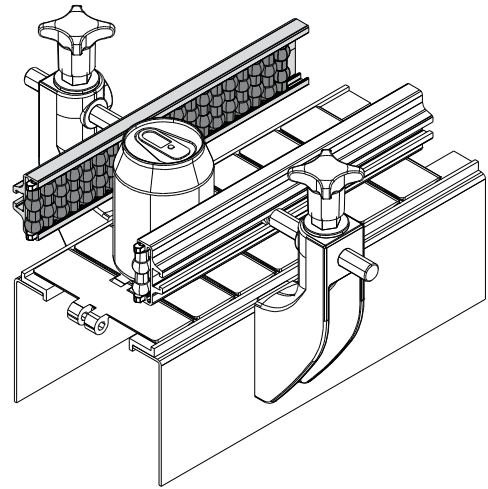
FEATURES: Supplied already assembled, in bars of 3 meters length.
Min. curvature radius: 250 mm.

BOX QUANTITY: 2 bars of 3 meters (total 6 meters).

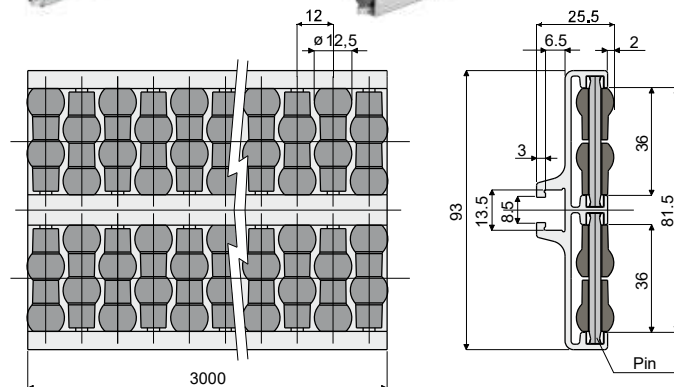
ON REQUEST:

- Roller side guide: Other colours.

Example of application



Part. 307 Roller side guide (double type, with pearls)



Pins made of acetal	Pins made of stainless steel AISI 304
Code	Code
307 / 82810	307 / 84549

NEW

MATERIALS: Metal profile in anodized aluminium; rollers in grey polyamide; support pins in white acetal or in stainless steel AISI 304.

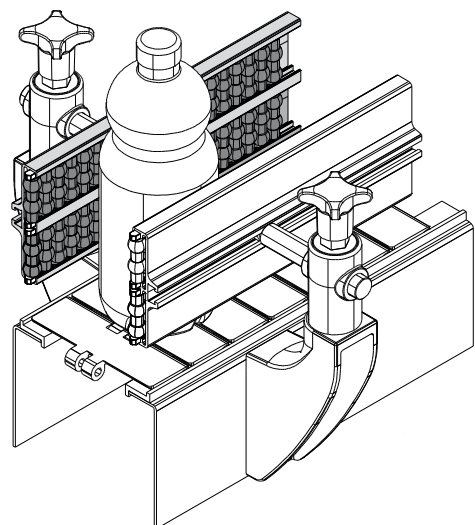
FEATURES: Supplied already assembled, in bars of 3 meters length.
Min. curvature radius: 500 mm.

BOX QUANTITY: 2 bars of 3 meters (total 6 meters).

ON REQUEST:

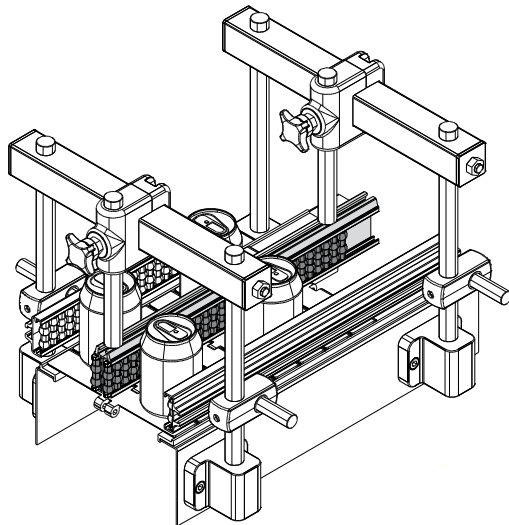
- Roller side guide: Other colours.

Example of application



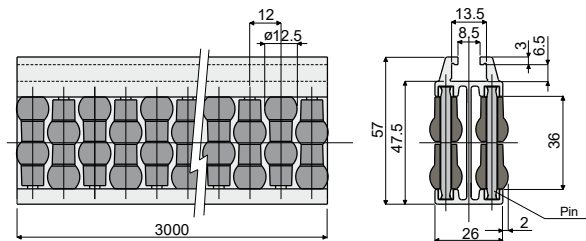
Product guides and accessories

Example of application



Roller central guide (single type, with pearls)

Part. **308**



Pins made of acetal	Pins made of stainless steel AISI 304
Code	Code
308 / 82811	308 / 84550

NEW

MATERIALS: Metal profile in anodized aluminium; rollers in grey polyamide; support pins in white acetal or in stainless steel AISI 304.

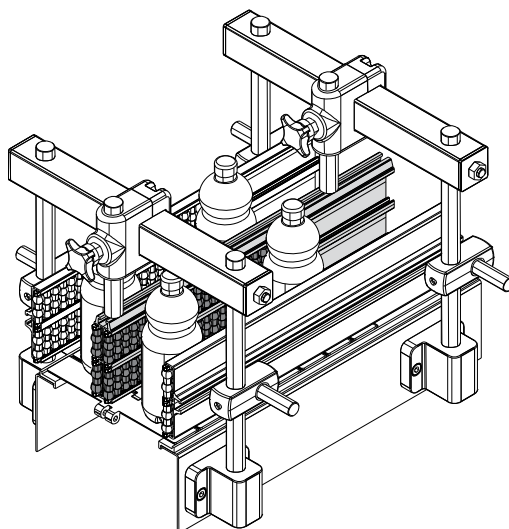
FEATURES: Supplied already assembled, in bars of 3 meters length.
Min. curvature radius: 500 mm.

BOX QUANTITY: 2 bars of 3 meters (total 6 meters).

ON REQUEST:

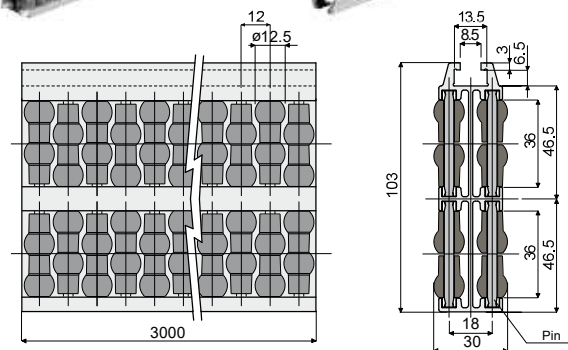
- Roller central guide: Other colours.

Example of application



Roller central guide (double type, with pearls)

Part. **319**



Pins made of acetal	Pins made of stainless steel AISI 304
Code	Code
319 / 82916	319 / 84551

NEW

MATERIALS: Metal profile in anodized aluminium; rollers in grey polyamide; support pins in white acetal or in stainless steel AISI 304.

FEATURES: Supplied already assembled, in bars of 3 meters length.
Min. curvature radius: 750 mm.

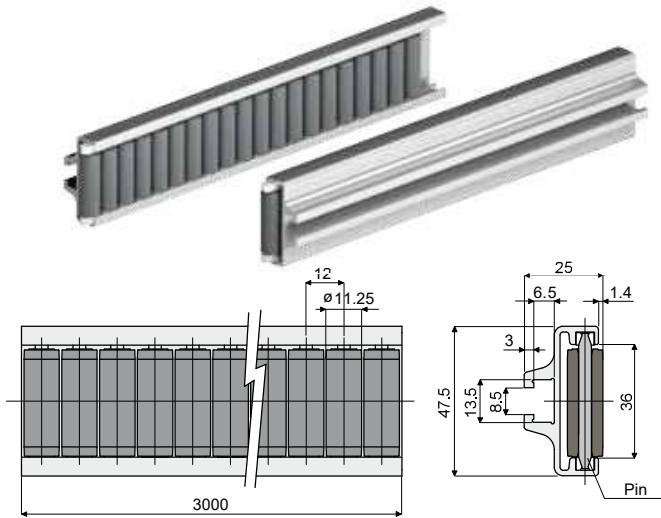
BOX QUANTITY: 2 bars of 3 meters (total 6 meters).

ON REQUEST:

- Roller central guide: Other colours.

Product guides and accessories

Part. 325 Roller side guide (single type, with cylinders)



Pins made of acetal	Pins made of stainless steel AISI 304
Code	Code
325 / 83003	325 / 84552

NEW

MATERIALS: Metal profile in anodized aluminium; rollers in grey polyamide; support pins in white acetal or in stainless steel AISI 304.

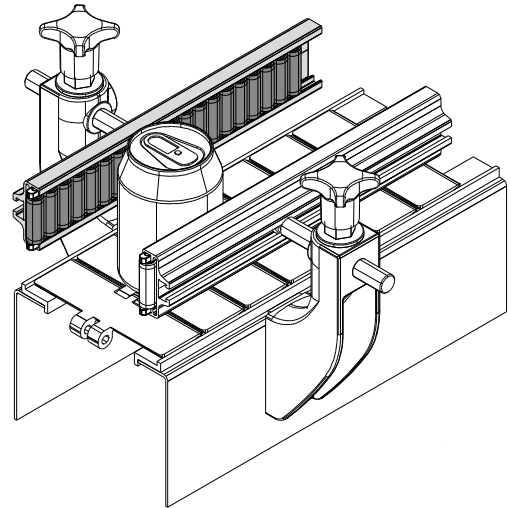
FEATURES: Supplied already assembled, in bars of 3 meters length. Min. curvature radius: 250 mm.

BOX QUANTITY: 2 bars of 3 meters (total 6 meters).

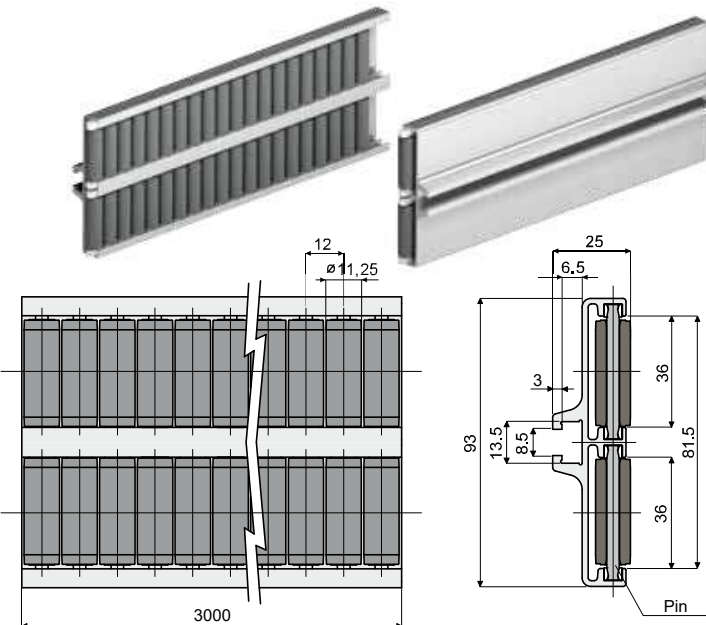
ON REQUEST:

- Roller side guide: Other colours.

Example of application



Part. 326 Roller side guide (double type, with cylinders)



Pins made of acetal	Pins made of stainless steel AISI 304
Code	Code
326 / 83004	326 / 84553

NEW

MATERIALS: Metal profile in anodized aluminium; rollers in grey polyamide; support pins in white acetal or in stainless steel AISI 304.

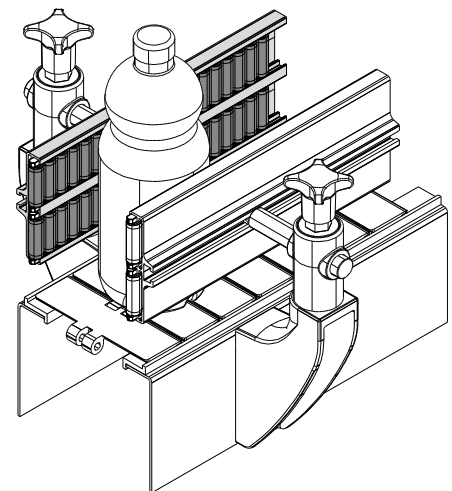
FEATURES: Supplied already assembled, in bars of 3 meters length. Min. curvature radius: 500 mm.

BOX QUANTITY: 2 bars of 3 meters (total 6 meters).

ON REQUEST:

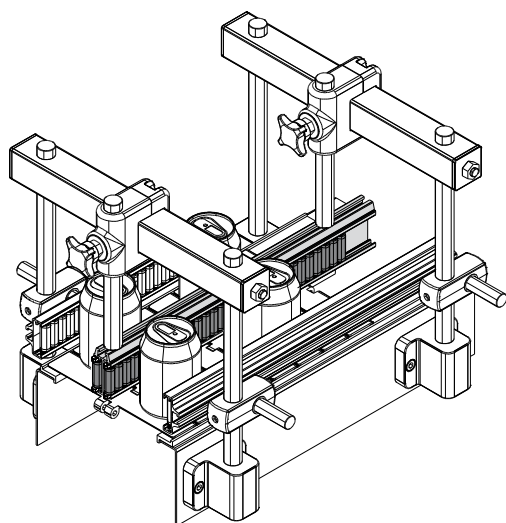
- Roller side guide: Other colours.

Example of application



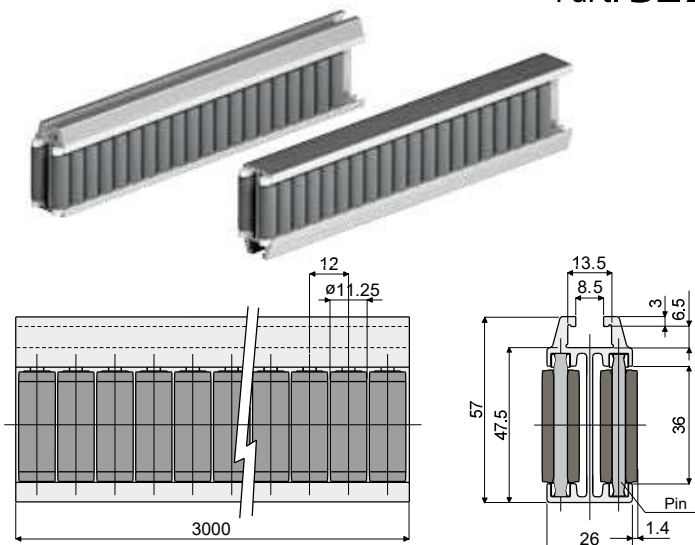
Product guides and accessories

Example of application



Roller central guide (single type, with cylinders)

Part. **327**



Pins made of acetal	Pins made of stainless steel AISI 304
Code	Code
327 / 83005	327 / 84555

NEW

MATERIALS: Metal profile in anodized aluminium; rollers in grey polyamide; support pins in white acetal or in stainless steel AISI 304.

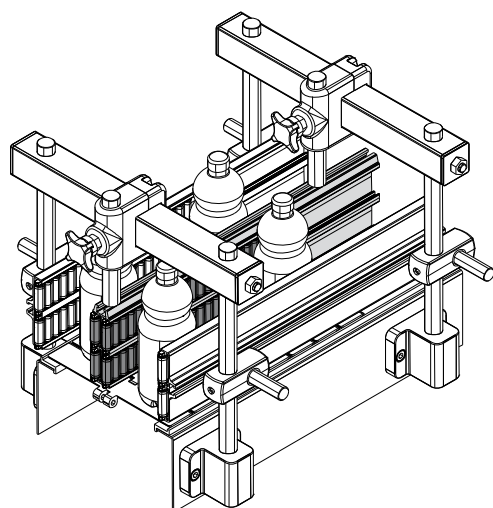
FEATURES: Supplied already assembled, in bars of 3 meters length.
Min. curvature radius: 500 mm.

BOX QUANTITY: 2 bars of 3 meters (total 6 meters).

ON REQUEST:

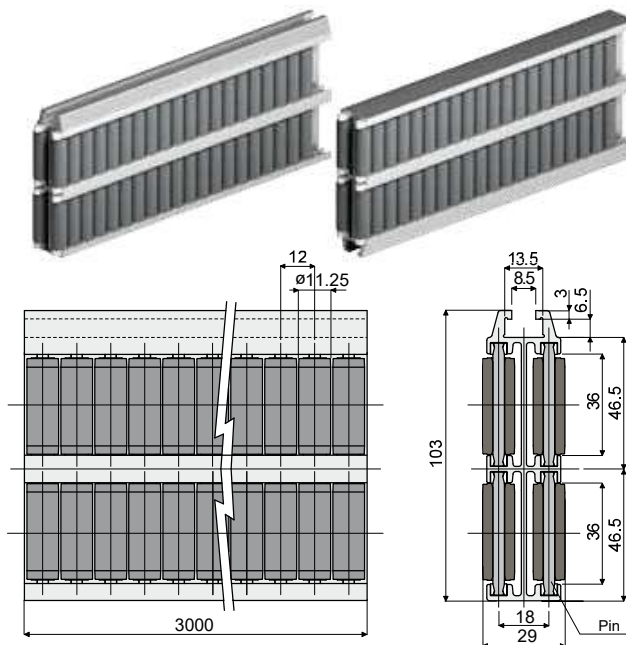
- Roller central guide: Other colours.

Example of application



Roller central guide (double type, with cylinders)

Part. **328**



Pins made of acetal	Pins made of stainless steel AISI 304
Code	Code
328 / 83006	328 / 84556

NEW

MATERIALS: Metal profile in anodized aluminium; rollers in grey polyamide; support pins in white acetal or in stainless steel AISI 304.

FEATURES: Supplied already assembled, in bars of 3 meters length.
Min. curvature radius: 750 mm.

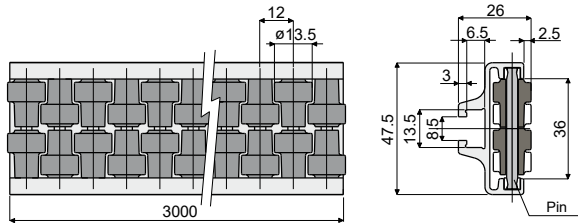
BOX QUANTITY: 2 bars of 3 meters (total 6 meters).

ON REQUEST:

- Roller central guide: Other colours.

Product guides and accessories

Part. 355 Roller side guide (single type, with round rollers)



Pins made of acetal	Pins made of stainless steel AISI 304
Code	Code
355 / 83473	355 / 84557

NEW

MATERIALS: Metal profile in anodized aluminium; rollers in grey polyamide; support pins in white acetal or in stainless steel AISI 304.

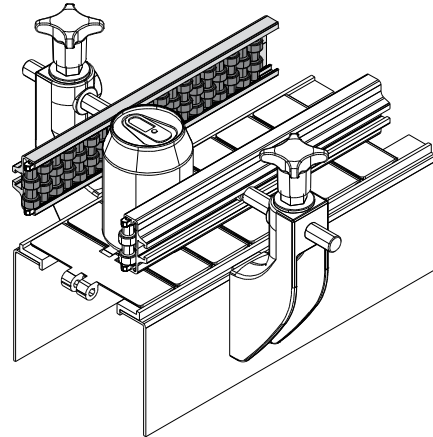
FEATURES: Supplied already assembled, in bars of 3 meters length.
Min. curvature radius: 250 mm.

BOX QUANTITY: 2 bars of 3 meters (total 6 meters).

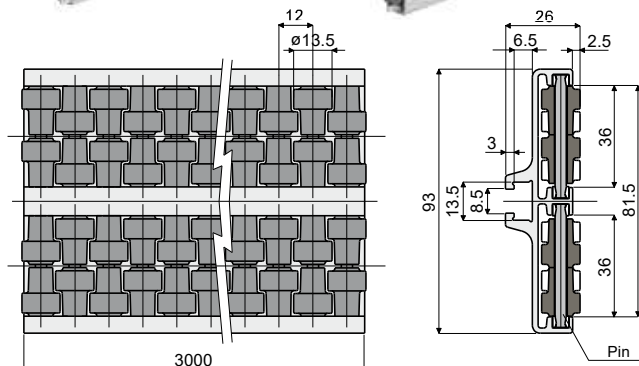
ON REQUEST:

- Roller side guide: Other colours.

Example of application



Part. 356 Roller side guide (double type, with round rollers)



Pins made of acetal	Pins made of stainless steel AISI 304
Code	Code
356 / 83474	356 / 84558

NEW

MATERIALS: Metal profile in anodized aluminium; rollers in grey polyamide; support pins in white acetal or in stainless steel AISI 304.

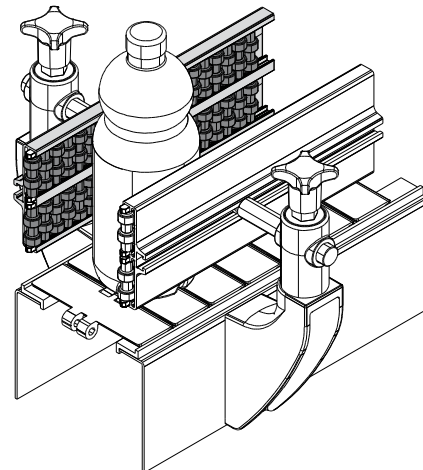
FEATURES: Supplied already assembled, in bars of 3 meters length.
Min. curvature radius: 500 mm.

BOX QUANTITY: 2 bars of 3 meters (total 6 meters).

ON REQUEST:

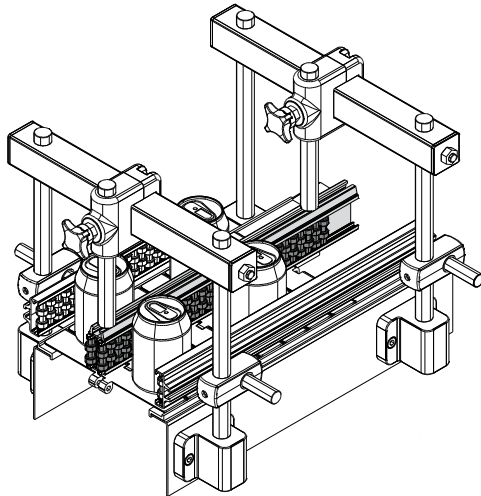
- Roller side guide: Other colours.

Example of application

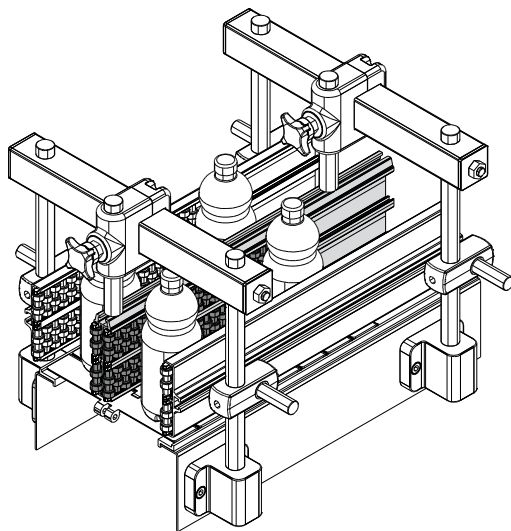


Product guides and accessories

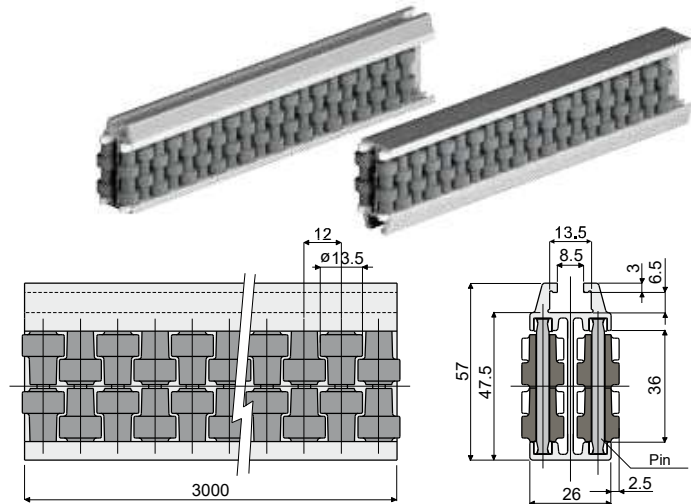
Example of application



Example of application



Roller central guide (single type, with round rollers) Part. 357



Pins made of acetal	Pins made of stainless steel AISI 304
Code	Code
357 / 83475	357 / 84559

NEW

MATERIALS: Metal profile in anodized aluminium; rollers in grey polyamide; support pins in white acetal or in stainless steel AISI 304.

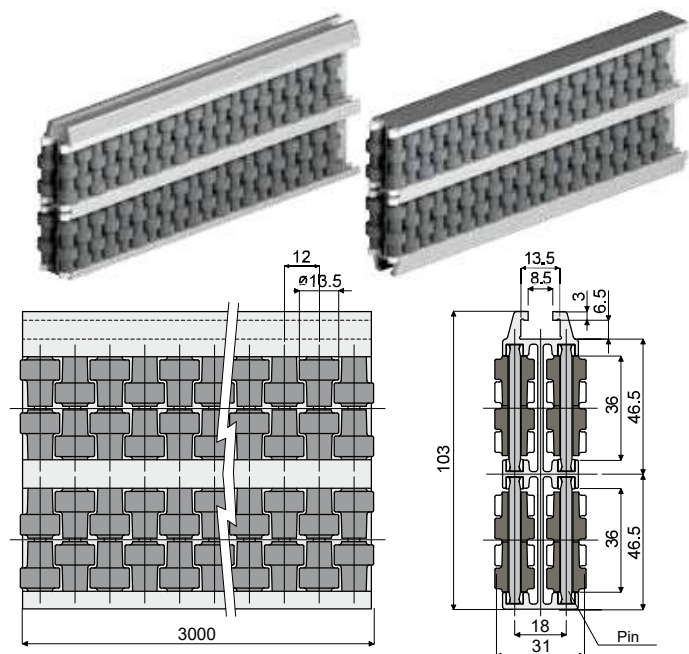
FEATURES: Supplied already assembled, in bars of 3 meters length.
Min. curvature radius: 500 mm.

BOX QUANTITY: 2 bars of 3 meters (total 6 meters).

ON REQUEST:

- Roller side guide: Other colours.

Roller central guide (double type, with round rollers) Part. 358



Pins made of acetal	Pins made of stainless steel AISI 304
Code	Code
358 / 83476	358 / 84560

NEW

MATERIALS: Metal profile in anodized aluminium; rollers in grey polyamide; support pins in white acetal or in stainless steel AISI 304.

FEATURES: Supplied already assembled, in bars of 3 meters length.
Min. curvature radius: 750 mm.

BOX QUANTITY: 2 bars of 3 meters (total 6 meters).

ON REQUEST:

- Roller side guide: Other colours.